

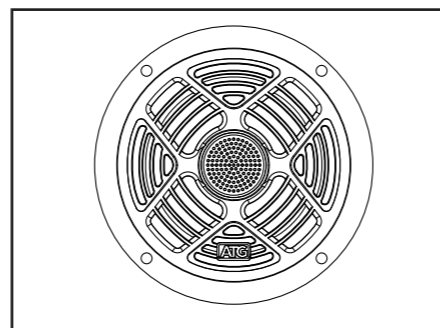
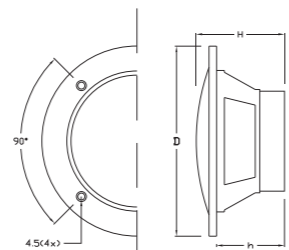


OWNER'S MANUAL

MODEL: ATG8MRGB

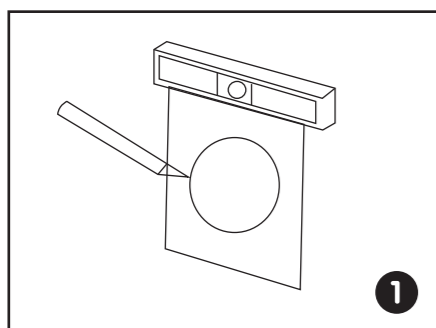
- 2-Way Marine Loudspeaker
- Water Resistant
- For Marine or Car use
- Polypropylene Cone with Rubber Edge
- PEI Dome Tweeter
- Molded ABS Plastic Basket

- Max Power: 160 Watts
- Frequency Response: 55Hz-20Khz
- Impedance: 4 Ohms
- Sensitivity: 90 dB
- Dimensions:
Diameter - 7.36" in / 187mm
Depth - 4.80 in / 122mm

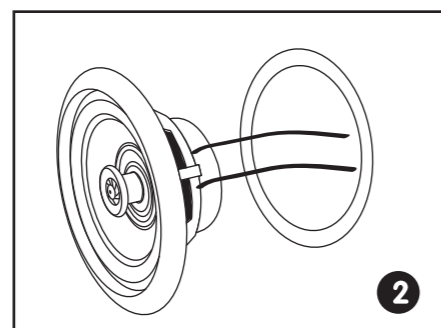


Complete.

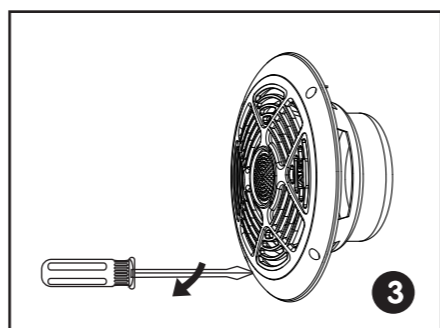
INSTALLATION GUIDE



Using the provided cutout template cut the mounting surface material to the required size.



Connect the speaker wires to the speaker.



Use the provided stainless steel screws to securely fasten the speaker to the mounting surface.



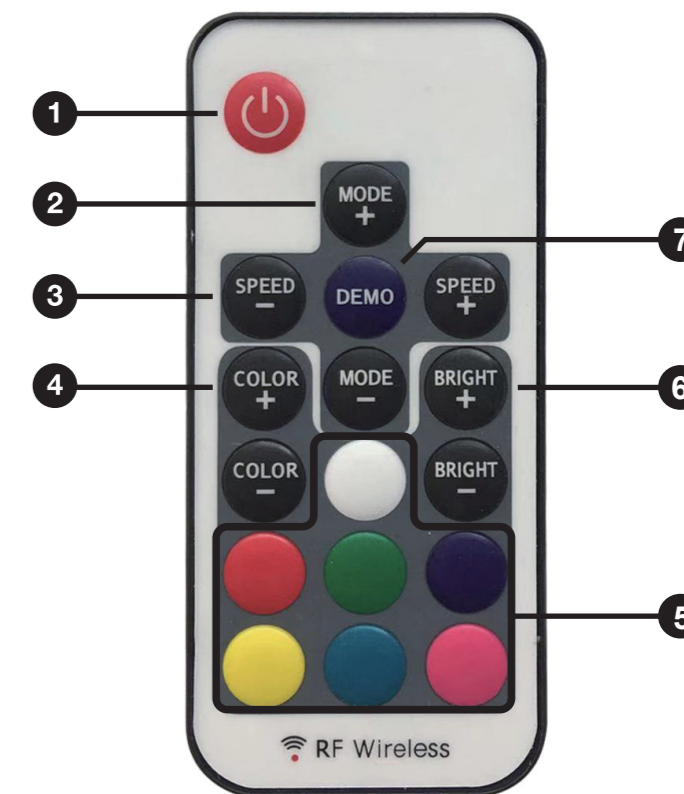
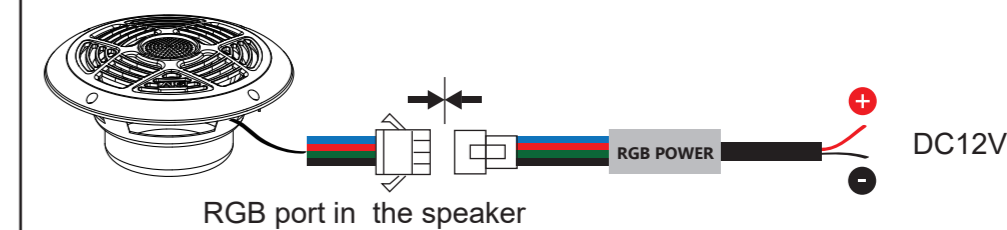
OWNER'S MANUAL

MODEL: ATG8MRGB

- 22 Dynamic Modes
- Card Type RF Remote
- 20 Static Colors
- Ultra Slim Design
- Very Smooth Effects
- Dynamic Demo Mode
- Speed Adjustable
- Easy Remote Pairing
- Brightness Adjustable
- Direct Color Select

- 1. Turn on/ Standby** – This Key will turn unit on or switch to standby mode.
When powered on, unit will automatically turn on and restore to previous status.
- 2. Mode** – Press to switch to dynamic mode from static color, or switch between dynamic modes.
- 3. Speed Adjustment** – Press to adjust speed for dynamic play. **SPEED +** to increase and **SPEED -** to decrease. Unit will switch to dynamic mode if you press this key in static color mode.
- 4. Static Color Adjustment** - Switch between static colors.
- 5. Direct Color Select** – Shortcut keys to select specific color.
- 6. Brightness Adjustment** – Adjust color brightness. **BRIGHT +** increases brightness and **BRIGHT -** decreases brightness of colors.
- 7. Demo Mode** – In demo mode unit will play through 17 dynamic modes in a loop, each mode will repeat 3 times.

RGB Wiring



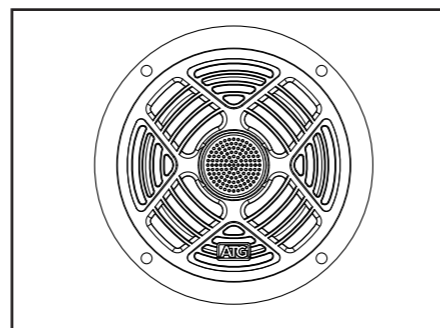
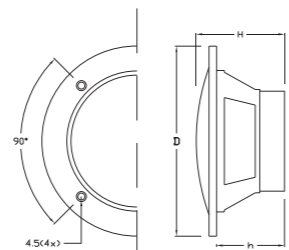


OWNER'S MANUAL

MODEL: ATG8MRGB

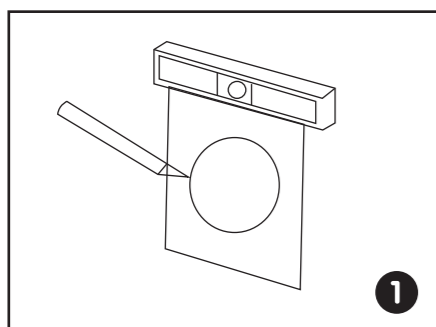
- 2-Way Marine Loudspeaker
- Water Resistant
- For Marine or Car use
- Polypropylene Cone with Rubber Edge
- PEI Dome Tweeter
- Molded ABS Plastic Basket

- Max Power: 160 Watts
- Frequency Response: 55Hz-20Khz
- Impedance: 4 Ohms
- Sensitivity: 90 dB
- Dimensions:
Diameter - 7.36" in / 187mm
Depth - 4.80 in / 122mm

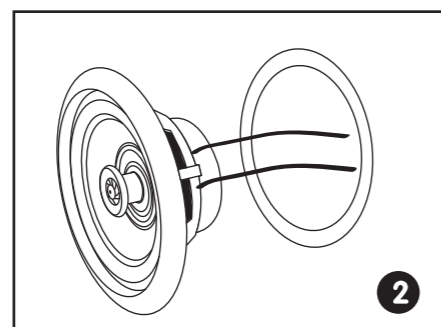


Complete.

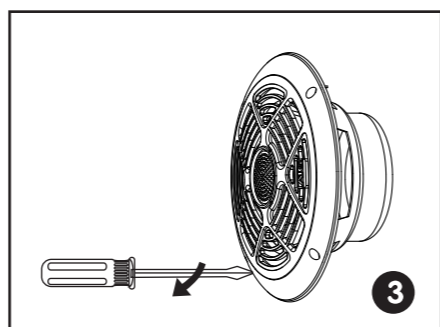
INSTALLATION GUIDE



Using the provided cutout template cut the mounting surface material to the required size.



Connect the speaker wires to the speaker.



Use the provided stainless steel screws to securely fasten the speaker to the mounting surface.



OWNER'S MANUAL

MODEL: ATG8MRGB

- 22 Dynamic Modes
- Card Type RF Remote
- 20 Static Colors
- Ultra Slim Design
- Very Smooth Effects
- Dynamic Demo Mode
- Speed Adjustable
- Easy Remote Pairing
- Brightness Adjustable
- Direct Color Select

- 1. Turn on/ Standby** – This Key will turn unit on or switch to standby mode.
When powered on, unit will automatically turn on and restore to previous status.
- 2. Mode** – Press to switch to dynamic mode from static color, or switch between dynamic modes.
- 3. Speed Adjustment** – Press to adjust speed for dynamic play. **SPEED +** to increase and **SPEED -** to decrease. Unit will switch to dynamic mode if you press this key in static color mode.
- 4. Static Color Adjustment** - Switch between static colors.
- 5. Direct Color Select** – Shortcut keys to select specific color.
- 6. Brightness Adjustment** – Adjust color brightness. **BRIGHT +** increases brightness and **BRIGHT -** decreases brightness of colors.
- 7. Demo Mode** – In demo mode unit will play through 17 dynamic modes in a loop, each mode will repeat 3 times.

RGB Wiring

